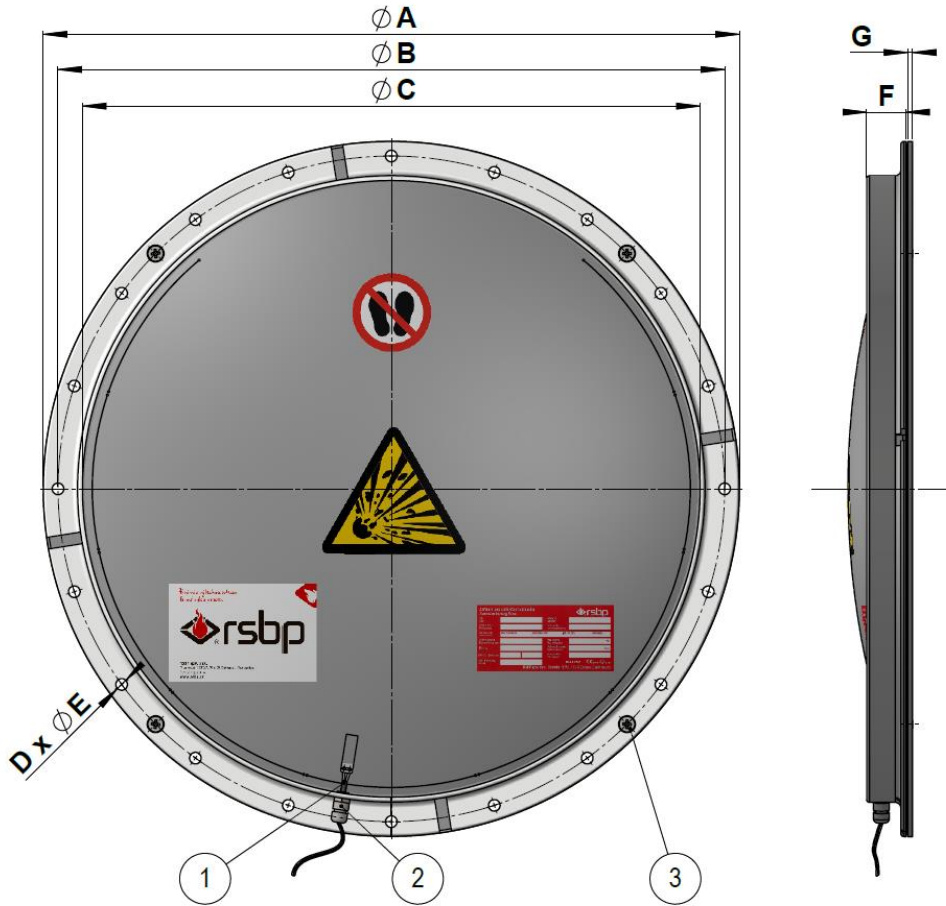




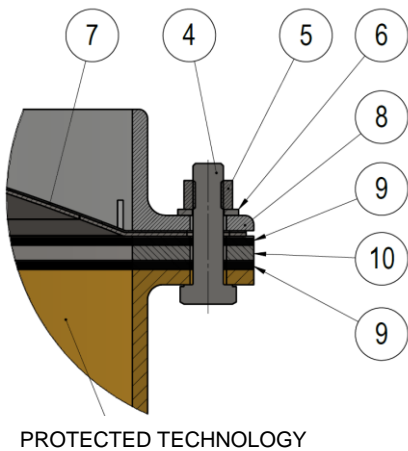
Fire and explosion protection

FRAME DIMENSION OF CIRCLE VMP

This datasheet describes the basic dimensions of the circle explosion vents frames. Explosion vents frames are manufactured in two material versions, made of stainless steel or coated carbon steel. In the figure you can see the individual labels that are shown in the table.



CONNECTION TECHNOLOGY AND FRAME WITH EXPLOSION VENTS



PROTECTED TECHNOLOGY

LEGEND:

	Components	Number of pieces
1	Explosion vent opening indicator	1
2	Connector	1
3	Upper and lower frame connection screws ²⁾	4 to 8
4	Screws (ISO 4017) ²⁾	see ¹⁾
5	Nuts (ISO 7040) ²⁾	see ¹⁾
6	Washers (ISO 7090) ²⁾	see ¹⁾
7	Explosion venting device	1
8	Top frame	1
9	Seals	2
10	Lower frame	1

¹⁾ number according to table technical dimensions

²⁾ material design – galvanized or stainless steel

DATASHEET





TECHNICAL DIMENSIONS:

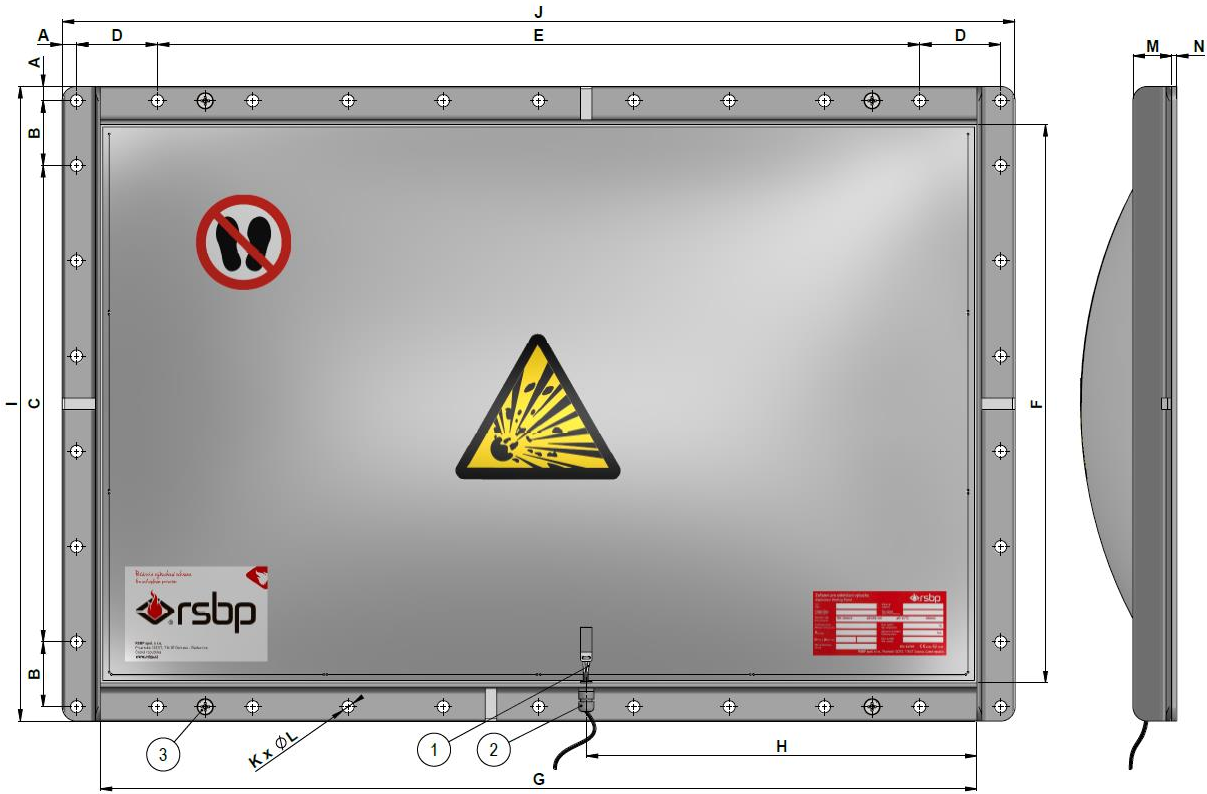
Explosion venting device	External dimension of the frame Ø A [mm]	Pitch circle Ø B [mm]	Internal dimension of the frame Ø C [mm]	Screws / holes			F [mm]	G [mm]
				Number D	Ø E [mm]	Size		
250	350	320	270	12	10	M8	40	5
300	380	350	320					
350	425	387	345	12	M10			
400	480	443	400					
450	530	486	450					
510	590	550	510					
600	680	646	600					
630	710	680	630					
750	850	817	770					
800	900	860	820					
880	960	920	880					
900	1000	955	900			32	50	
1000	1100	1060	1000					
1100	1200	1160	1100					



Fire and explosion protection

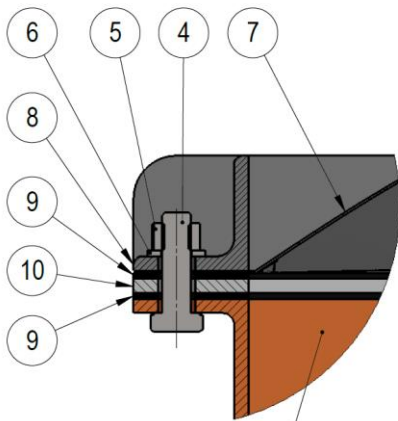
FRAME DIMENSION OF RECTANGULAR VMP

This datasheet describes the basic dimensions of the rectangular explosion vents frames. Explosion vents frames are manufactured in two material versions, made of stainless steel or coated carbon steel. In the figure you can see the individual labels that are shown in the table.



DATASHEET

CONNECTION TECHNOLOGY AND FRAME WITH EXPLOSION VENT



PROTECTED TECHNOLOGY

LEGEND:

	Components	Number of pieces
1	Explosion vent opening indicator	1
2	Connector	1
3	Upper and lower frame connection screws ²⁾	4 až 8
4	Screws (ISO 4017) ²⁾	see ¹⁾
5	Nuts (ISO 7040) ²⁾	see ¹⁾
6	Washers (ISO 7090) ²⁾	see ¹⁾
7	Explosion venting device	1
8	Top frame	1
9	Seals	2
10	Lower frame	1

¹⁾ number according to table technical dimensions

²⁾ material design – galvanized or stainless steel





TECHNICAL DIMENSIONS:

Explosion venting device	Internal dimension of the frame [F x G]	External dimension of the frame [I x J]	Screws / Holes		A [mm]	B [mm]	C [mm]		D [mm]	E [mm]		H [mm]	M [mm]	N [mm]
			K	ØL [mm]			Size	Number of holes		Span	Number of holes			
229x229	235x235	315x315	12	12	17,5	93	2	94	93	2	94	117,5		
260x260	260x260	340x340	12	12	16	103	2	102	103	2	102	130		
150x600	150x600	230x680	20	12	18	65	2	65	92	6	92	207,5		
220x540	220x540	300x620	18	12	16	90	2	88	98	5	98	221		
305x457	305x457	385x537	18	12	15	76	3	102	102	4	101	228,5		
610x290	290x610	370x690	18	12	15	114	2	114	110	5	110	360		
630x310	310x630	390x710	18	12	19	118	2	117	112	5	112	371	40	5
490x590	490x590	570x670	26	12	20	2 x 90 ³⁾	3	85	90	6	90	295		
450x800	455x805	535x885	22	12	17,5	125	3	125	110	6	126	402,5		
586x920	586x920	666x1000	34	13	15	68	6	100	85	9	100	410		
920x920	920x920	1000x1000	40	13	15	85	9	100	85	9	100	410		
1020x1020	1020x1020	1100x1100	40	13	15	107	9	107	107	9	107	563		
915x1118	915x1118	995x1198	42	13	15	82,5	9	100	111,5	10	105	559		

³⁾ please contact the manufacturer for further specification

